

SCHMIDT® PneumaticPress

Pneumatic toggle presses with maximum force at the end of stroke



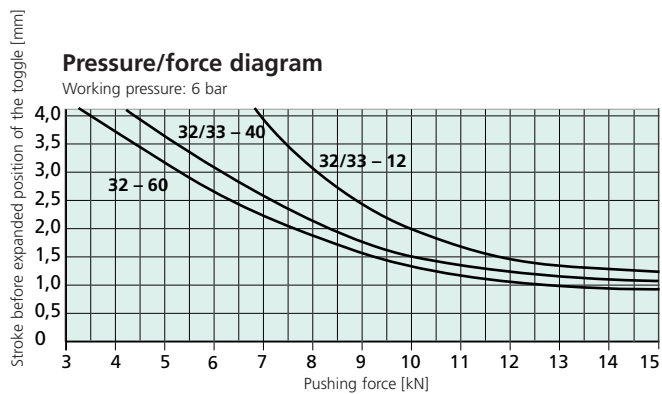
Fine adjustment
for press No. 33 with scale
1 division line = 0.02 mm



Flexible stroke adjustment
reduces the air consumption
for shorter strokes.

Features:

- T-slot with set screw in fixture mounting platen to secure bottom tool.



Up to 15 kN

Press type			32	33
Working stroke	A	mm	0-12 4-40 6-60	0-12 4-40
Nominal force at 6 bar		kN	15	15
Throat depth	C	mm	86	86
Throat depth frame	○	mm	111, 131	111, 131
Additional fixture mounting platen suitable for throat depth frame			○	○
Ram bore (with bushing)		∅ mm	20H7	20H7
External ram dimensions		mm	∅ 40	∅ 40
Fine adjustment				●
Working height	F			
Frame No. 3		mm	90 – 210	
Frame No. 2		mm	120 – 340	80 – 290
Frame No. 2-600	○	mm	210 – 580	160 – 530
Frame No. 2-1000	○	mm	340 – 1020	290 – 970
Weight (standard)		approx. kg	45	50

Frame overview						
Frame type	Press type	Frame height M	Table size W x D	Table bore ∅ mm	Table height K	Mounting surface W x L
No. 3	32	mm	150 x 110	20H7	60	150 x 260
No. 2	32, 33	mm	185 x 110	20H7	60	185 x 280
No. 2-600	32, 33	mm	200 x 160	20H7	98	200 x 290
No. 2-1000	32, 33	mm	200 x 160	20H7	98	200 x 290

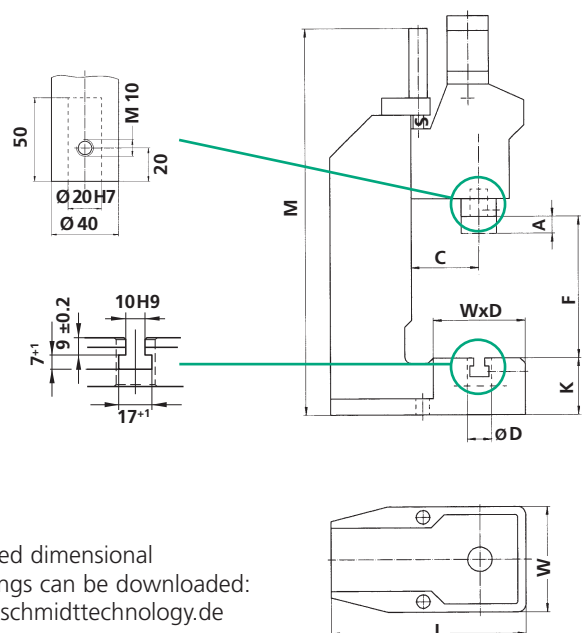
Options

- = Series standard with no additional charge
- = Additional charge applies

Other Available Options

- **Nickel plated** – Cast parts are electroless nickel plated, steel components black oxide finished, aluminum anodized, precision steel surfaces are untreated
- **Custom Paint** – Press and column can be painted to customer's color specification
- **Bores for Adapting Tooling** – Customer specific sizes can be supplied

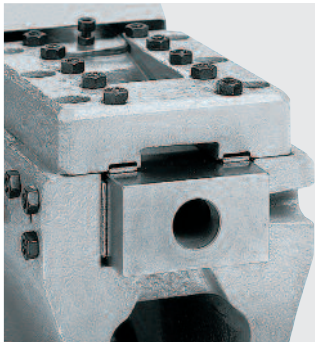
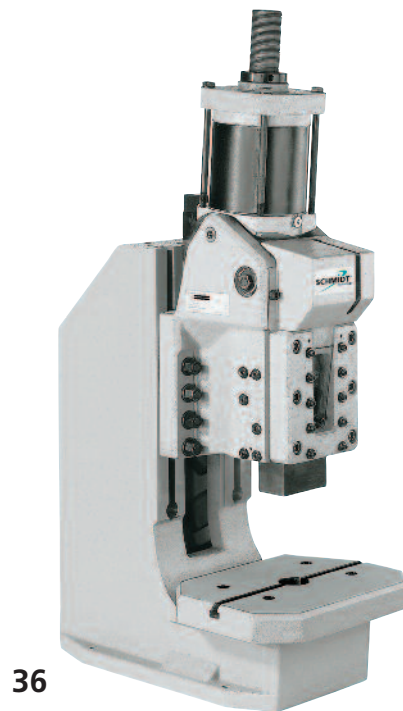
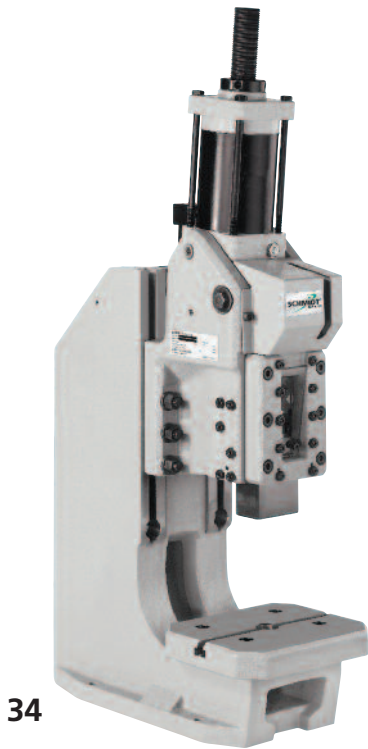
Please consult our Sales Department or Representative.



Detailed dimensional drawings can be downloaded: www.schmidttechnology.de

SCHMIDT® PneumaticPress

Pneumatic toggle presses with maximum force at the end of stroke



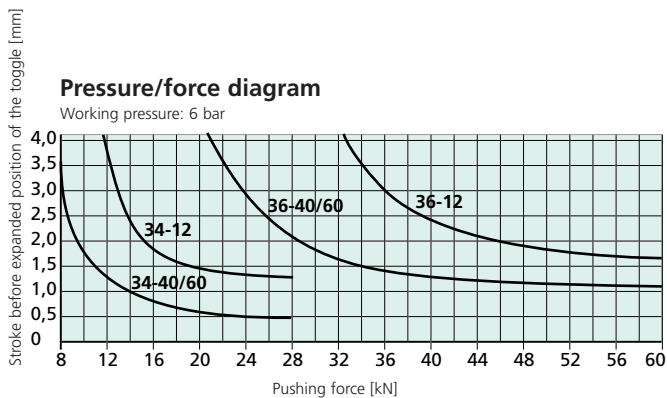
Square ram



Fine adjustment

Features:

- Anti-rotational square ram with fully adjustable, Teflon lined gibs for precise travel, no die set required
- Exact positioning due to fine adjustment scale (1 division line = 0.05 mm)



From 28 kN to 60 kN

Press type			34	36
Working stroke	A	mm	0-12 4-40 6-60	0-12 4-40 6-60
Nominal force at 6 bar		kN	28	60
Throat depth	C	mm	131	160
Throat depth frame \bigcirc		mm	151, 170	185
Fixture mounting platen suitable for throat depth frame			\bigcirc	\bigcirc
Ram bore (with bushing)		\varnothing mm	20H7	20H7
External ram dimensions	G x H	mm	36 x 63	46 x 86
Working height	F			
Frame No. 34		mm	100 – 250	
Frame No. 301		mm	160 – 400	
Frame No. 301-500		mm	310 – 550	
Frame No. 35		mm		100 – 270
Frame No. 35-500		mm		150 – 500
Frame No. 35-600		mm		250 – 600
Weight (standard)		approx. kg	90	150

Frame overview						
Frame type	Press type	Frame height M	Table size W x D	Table bore	Table height K	Mounting surface W x L
		mm	mm	\varnothing mm	mm	mm
No. 34	34	630	200 x 160	25H7	111	200 x 370
No. 301	34	830	250 x 200	40H7	145	250 x 460
No. 301-500	34	990	250 x 200	40H7	145	250 x 480
Special fixture mounting platen with 3 longitudinal slots \bigcirc			300 x 220	40H7		
			400 x 230	40H7		
No. 35	36	700	300 x 220	40H7	141	300 x 480
No. 35-500	36	990	355 x 225	40H7	166	300 x 560
No. 35-600	36	1110	400 x 280	40H7	166	300 x 585
Special fixture mounting platen with 3 longitudinal slots \bigcirc			355 x 225	40H7		
			400 x 230	40H7		

Options

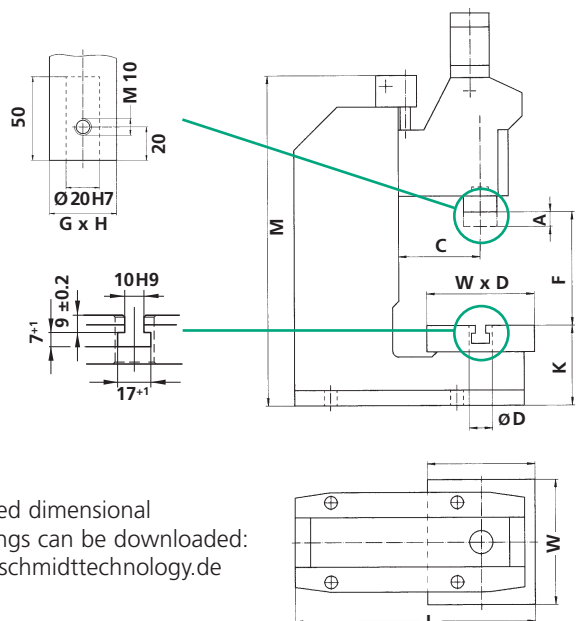
\bigcirc = Additional charge applies

Other Available Options

– **Nickel plated** – Cast parts are electroless nickel plated, steel components black oxide finished, aluminum anodized, precision steel surfaces are untreated

- **Custom Paint** – Press and column can be painted to customer's color specification
- **Bores for Adapting Tooling** – Customer specific sizes can be supplied

Please consult our Sales Department or Representative.



Detailed dimensional drawings can be downloaded: www.schmidttechnology.de